

# Phoenix Model 216-142 DCC Bundled Offers

Sep-20

BUNDLE ID	PHOENIX CMM	PROBE SYSTEM							GEOMET SOFTWARE		CMM MANAGER SOFTWARE		SOFTWARE TRAINING AT HELMEL		VALID UNTIL
	MODEL 216-142	TP-ES	MH20i	RTP20	PH10T	PH20	MCR20	TCR20	101+	301	Lite	CAD	3-DAYS	4-DAYS	January 1, 2021
PH216-TPES-G101	X	X							X					X	\$ 37,450.00
PH216-TPES-G301	X	X								X				X	\$ 40,400.00
PH216-TPES-CMML	X	X									X		X		\$ 43,810.00
PH216-TPES-CMMC	X	X										X	X		\$ 47,660.00
PH216-MH20i-G101	X		X						X					X	\$ 40,585.00
PH216-MH20i-G301	X		X							X				X	\$ 43,535.00
PH216-MH20i-CMML	X		X								X		X		\$ 46,945.00
PH216-MH20i-CMMC	X		X									X	X		\$ 50,795.00
PH216-RTP20-G101	X			X					X					X	\$ 42,330.00
PH216-RTP20-G301	X			X						X				X	\$ 45,280.00
PH216-RTP20-CMML	X			X							X		X		\$ 48,690.00
PH216-RTP20-CMMC	X			X								X	X		\$ 52,540.00
PH216-RTP20-G101-MCR20	X			X					X					X	\$ 45,450.00
PH216-RTP20-G301-MCR20	X			X						X				X	\$ 48,400.00
PH216-RTP20-CMML-MCR20	X			X							X		X		\$ 51,810.00
PH216-RTP20-CMMC-MCR20	X			X								X	X		\$ 55,660.00
PH216-PH10T-G101-MCR20	X				X				X					X	\$ 58,810.00
PH216-PH10T-G301-MCR20	X				X					X				X	\$ 61,760.00
PH216-PH10T-CMML-MCR20	X				X						X		X		\$ 65,170.00
PH216-PH10T-CMMC-MCR20	X				X							X	X		\$ 69,020.00
PH216-PH20-CMMC-TCR20	X					X		X				X		X	\$ 68,960.00

**INSTALLATION:** contact Helmel for quote

**SHIPPING:** FOB Factory, Niagara Falls, NY

Container - 40" x 48" x 75" high, Total Weight 900 Lbs.

**TERMS:** 30% with Order, Payment in Full prior to shipping

Contact Helmel for Time-to-Ship

**BUNDLES INCLUDE:**

- Moving Bridge Type Construction
- Dual Beam Bridge Design
- Optical Non-Contact Steel Scales
- Adjustable Spring Steel Counterbalance
- Precision Bearings on Hardened and Ground Ways
- Ways, Bearings, Motors Scales shielded or guarded
- Granite Surface Plate
- (6) 3/8-16 Clamping Inserts
- Cabinet Stand with Controller Electronics and Monitor Shelf
- Windows 10 Computer System with 19" Monitor
- Rugged 3-axis Joystick Pendant
- Ø1" Certified Calibration Sphere with Base
- GeoWIDGET Training Part and ePrint
- Utility: 120/220V, 50/60 Hz Power Supply
- [On-line Geomet PDF User Guide](#)
- In-software CMM Manager HELP.
- (1) Year Warranty & Software Service Contract
- Training Classes at Helmel



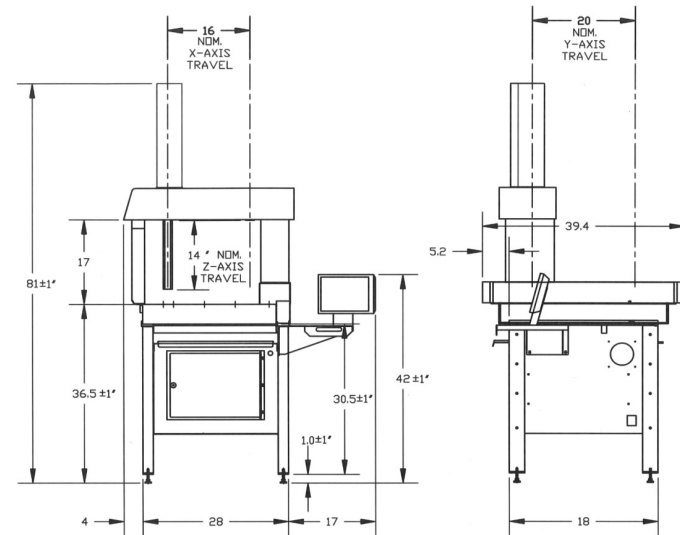
Calibration Sphere



Widget Training Part



Starter Stylus Kit



PHOENIX 216-142

