

## Checkmaster Model 216-142 Bundled Systems - USA ONLY

Jan-24	CHECKMASTER CMM	PROBE KIT		GEOMET SOFTWARE			CMM MANAGER SOFTWARE		TRAINING at HELMEL				VALID UNTIL
BUNDLE ID	MODEL 216-142	TP-ES	MH20i	Junior	101+	301	Lite	CAD	Self-Train	1-DAY	2-DAYS	3_DAYS	3/31/2024
CM216-TPES-GJR-ST	X	X		X					X				\$ 35,480.00
CM216-TPES-GJR	X	X		X						X			\$ 36,270.00
CM216-TPES-G101	X	X			X							X	\$ 41,800.00
CM216-TPES-G301	X	X				X						X	\$ 44,500.00
CM216-TPES-CMML	X	X					X				X		\$ 40,860.00
CM216-TPES-CMMC	X	X						X			X		\$ 42,510.00
CM216-MH20i-GJR-ST	X		X	X					X				\$ 37,980.00
CM216-MH20i-GJR	X		X	X						X			\$ 38,770.00
CM216-MH20i-G101	X		X		X							X	\$ 44,300.00
CM216-MH20i-G301	X		X			X						X	\$ 47,000.00
CM216-MH20i-CMML	X		X				X				X		\$ 43,360.00
CM216-MH20i-CMMC	X		X					X			X		\$ 45,010.00

**INSTALLATION:** self-install\*, or contact Helmel for quote

**SHIPPING:** FOB Factory, Niagara Falls, NY

(1) Container 32"x39"x47" - 500#; (1) Container 31"x42"x37" - 225#

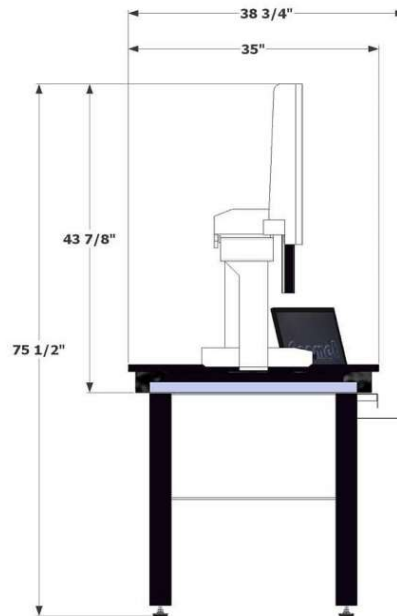
**TERMS:** 30% with order, Balance NET 30 Days subject to credit approval

Contact Helmel for Time-to-Ship

[\\*Installation Instructions](#)

**BUNDLES INCLUDE:**

- Optical Non-Contact Steel Scales
- Locks & Fine Adjustment on X, Y and Z
- Adjustable Spring Steel Counterbalance
- Moving Bridge Type Construction
- Precision Bearings on Hardened and Ground Ways
- Solid Granite Surface Plate
- 3/8-16 Clamping Inserts
- Machine Stand with Side Monitor Shelf
- Windows 10 Computer System with 19" Monitor
- [Software - Geomet or CMM Manager choice](#)
- ProCounter3 Scale & Probe Interface with Cables
- Ø1" Certified Calibration Sphere with Base
- GeoWIDGET Training Part and ePrint
- (1) Year Warranty
- Utility: 120/220V, 50/60 Hz Power Supply
- Receiving and Setup Instructions
- On-line PDF User Guide for Geomet
- In-app Help Files for CMM Manager



Checkmaster Model 216-142

